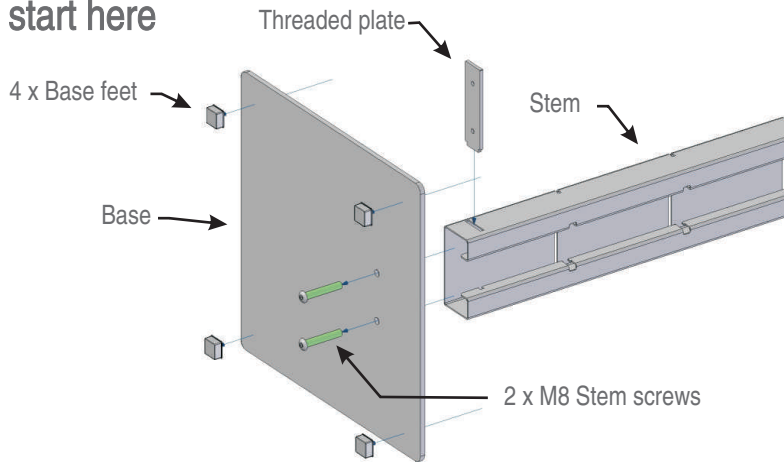
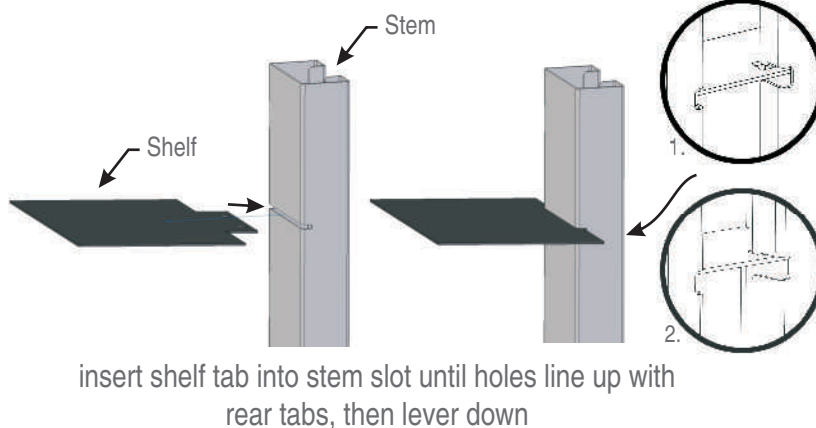


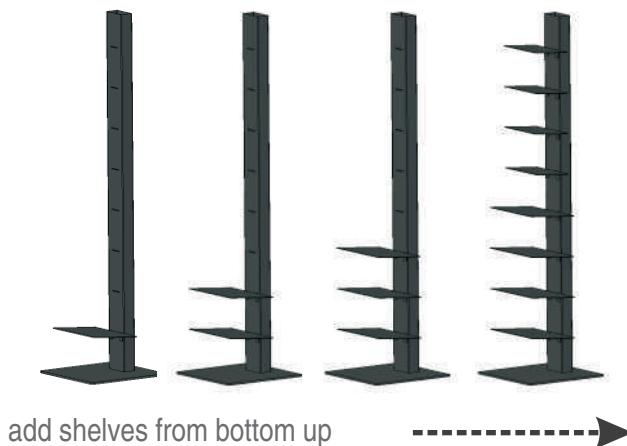
### 1 start here



### 2



### 3



### what you get

- 2 x M8 stem screws
- 4 x base feet
- 1 x threaded plate
- 1 x hex tool
- 1 x base
- 1 x stem
- 1 x cap
- 4 x magazine sized shelves
- 4 x book shelves (stak 14)
- 8 x book shelves (stak 20)
- 1 x wall bracket
- 2 x wall screws

### assembly

1. Insert M8 screws through holes in base. Insert threaded plate in slot at base of stem. Note that the threaded plate has a small end and a large end. Align the ends of the threaded plate with the slots sizes on the stem and insert

**!!! Threaded plate must be protruding through both sides of Stem before screwing tight!**

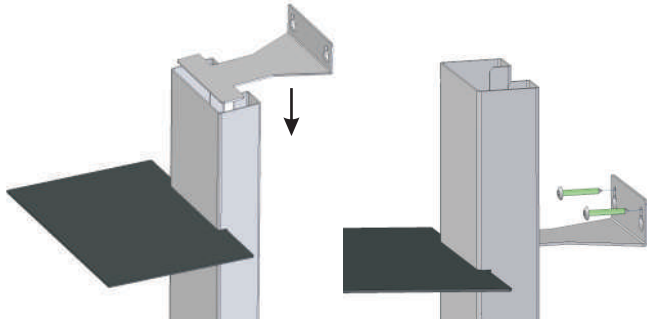
Align screw with threaded recessed plate in bottom of stem and tighten firm using hex tool supplied. Ensure stem orientation is as per Figure 1, non-slotted side of stem should facing back.

2. Stick base feet to underside of base. Ensure even alignments to base edges on all 4 corners. Uneven alignment will cause Stak to be unstable and may be unsafe.
3. Rest Stak on its base so that the stem is now in a vertical position. Locate Stak in final position in your house or office.
4. Starting from the bottom. Insert shelves as per Figure 2.
5. Drop the wall bracket into the stem from the top as per figure 4. Holding the wall bracket in the desired position, mark points for the screws. Temporarily move the bracket and fasten screws into the wall. Hang the bracket and fasten screws. This ensures the top of the stem is anchored to the wall.
6. Place books and magazines on shelves in horizontal orientation and enjoy. Try to create a tapering shape by placing larger books/magazines at bottom with smaller at top.

### dos & don'ts

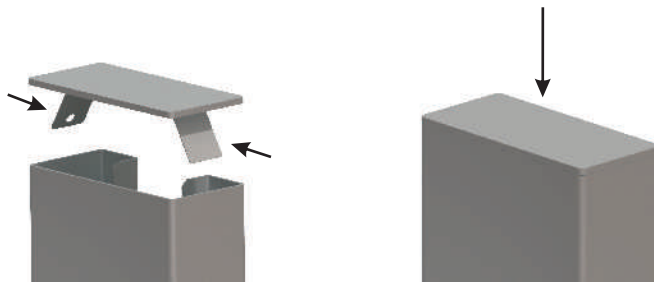
- don't- swing from, crash tackle or generally bump into Stak, it might fall on you.
- don't- load the shelves with any more than 3.5kgs each.
- do- position Stak against a wall or in a corner, away from thoroughfares where it could be knocked.
- do- enjoy and have fun!

4



insert wall bracket at top of stem. with stak in final position, fasten the bracket to the wall. this ensures stability.

5



flex in cap locator tabs and insert into end of stem